



**Bolt Puller**

**4230H**

User Manual



**4230H**



# ÍNDICE

1. Bolt Puller

2. Hydraulic part

3. User instruction

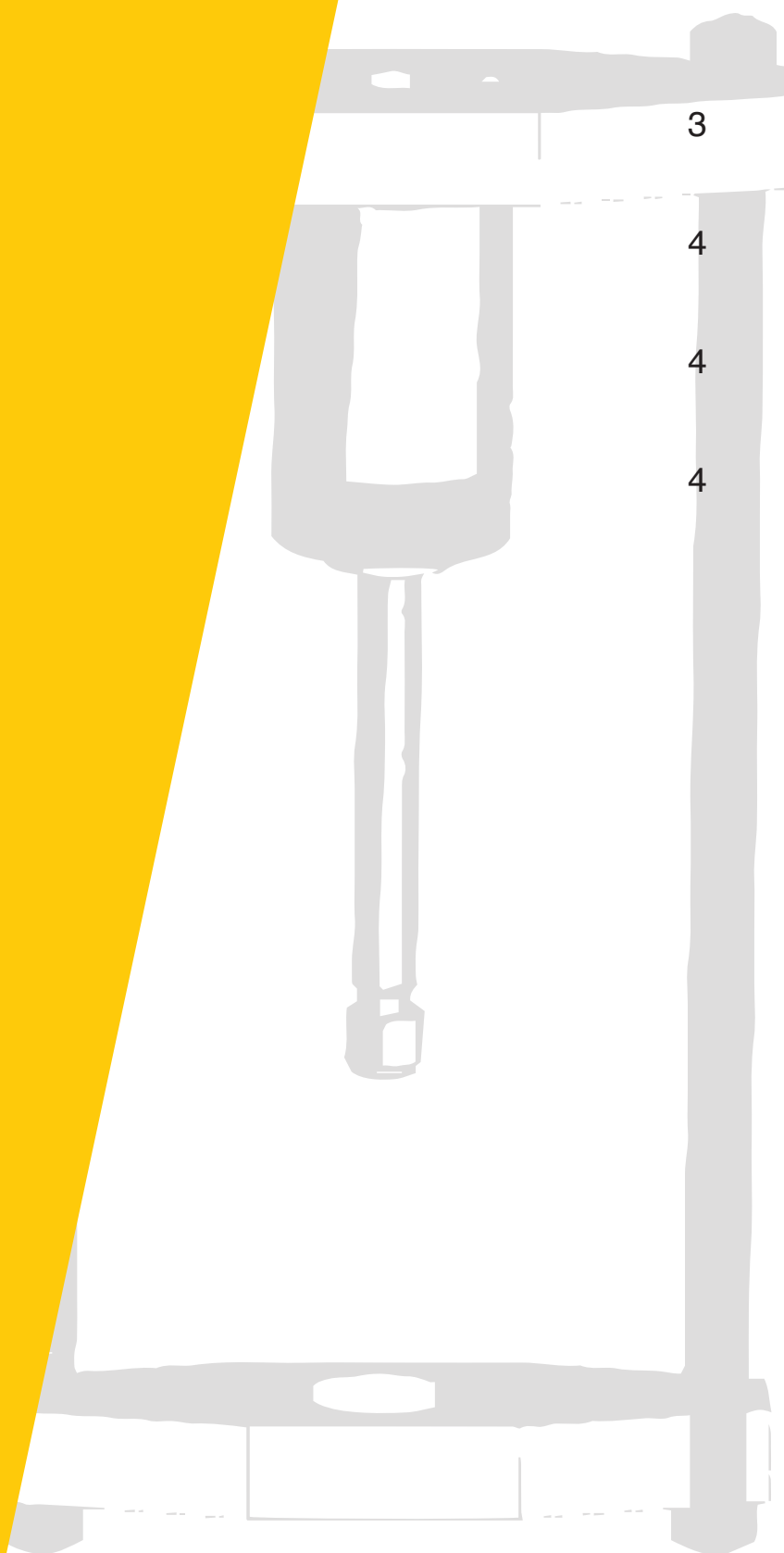
4. Spare parts

3

4

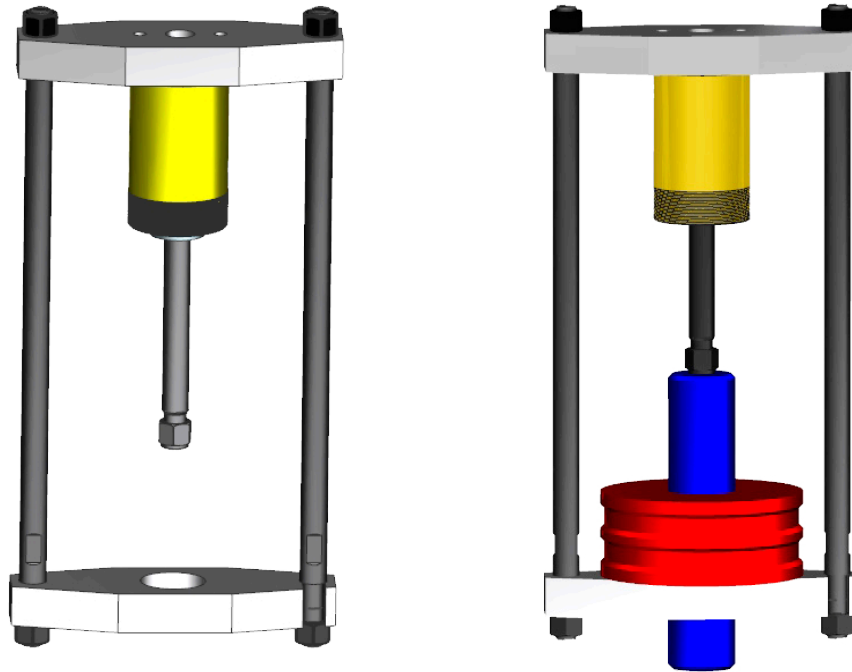
4

4

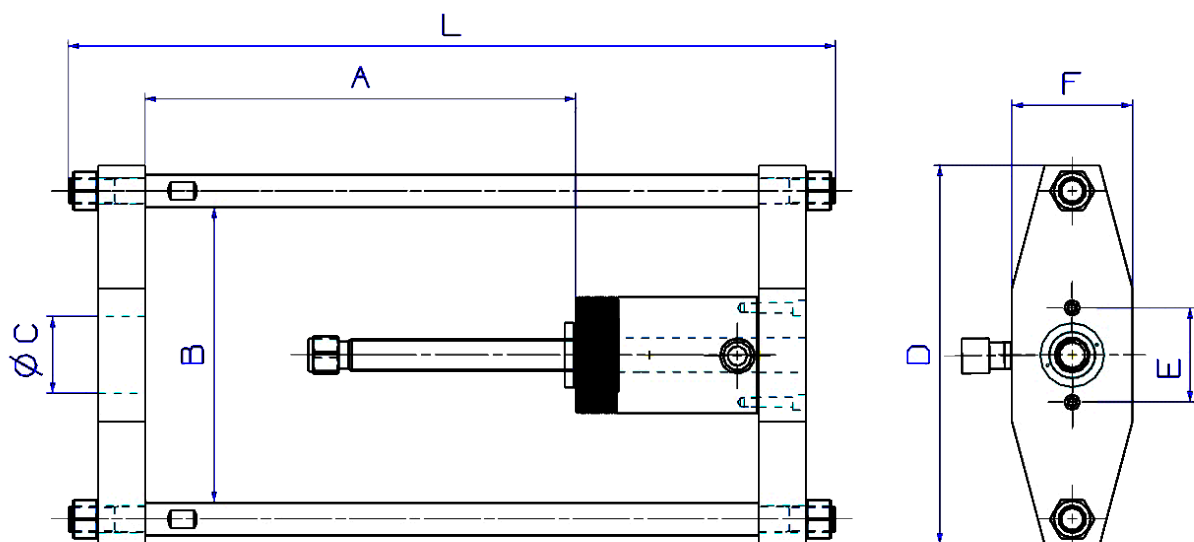




■ 1. BOLT PULLER



Ref.	Cylinder	A	B	ØC	D	E	F	L	Weight P. mechanical	Total Weight
4230H	30TON	420	288	75	370	92,1	118	36	36	55
4260H	50TON	475	398	98	520	130,2	170	97	97	140



## ■ 2. HYDRAULIC PART

The hydraulic part of the puller is made up of:

The hydraulic cylinder which is the force creating part of the puller. It is a single acting cylinder with spring loaded return.

The pump is the part that bring pressure to the cylinder.

Pumps can deliver up to 700 bars, for aditional safety DO NOT operate with pressure beyond the red zone.

Pullers might end not perfectly balanced when being set up resulting into uneven load between the arms.

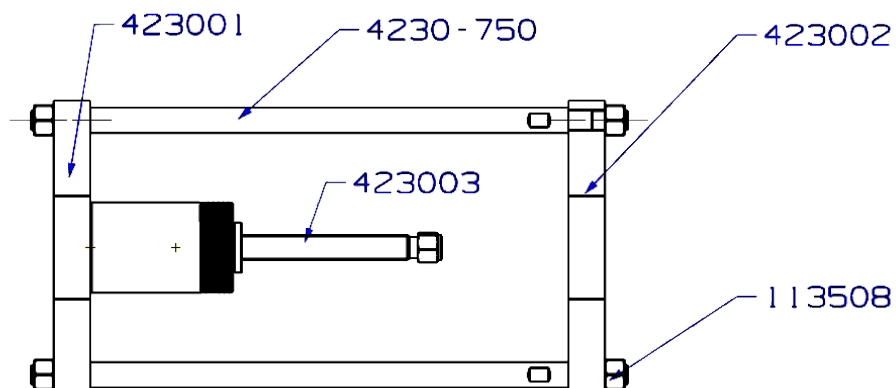
## ■ 3. USER INSTRUCTION



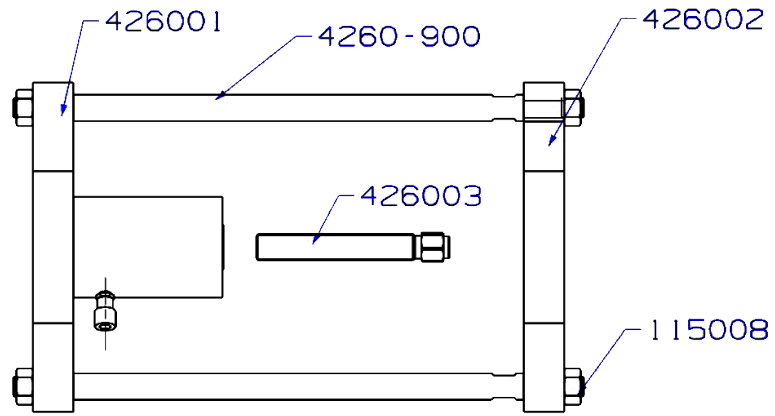
- 1- Make sure that the spindle is perfectly cleaned and greased.
- 2- See that extenders are evenly spread.
- 3- Wear all necessary safety equipments.
- 4- Hold the equipment steady by tightening the spindle manually.
- 5- Put pressure with the pump while always monitoring the gauge and the puller deformations alike.

## ■ 4. PARTS LIST

4230H



4260H





S.L. de Herramientas Especiales Forza  
C/ San Miguel de Atxa, 24  
01010 Vitoria  
[www.forza.es](http://www.forza.es)

---